



Access Panel Range

DESCRIPTION: 1 Hour Fire Rated Access Panels (APF1 Panels) are designed to sit flush with the ceiling or wall surface leaving a narrow opening joint around the face. The Access Panel is secured with a locking key or can be individually keyed for maximum security.

APPLICATIONS: APF1 Panels have fully concealed hinges to provide lockable security access to services. The Access Panels can be installed during construction or after the wall or ceiling has been lined.

PRODUCT INFORMATION : APF1 Panels are supplied in standard sizes and can also be manufactured to suit individual requirements. The maximum size of APF1 Panels is 700mm x 700mm. Standard sizes are available as:

Code	Description
APF1-3030-S	Access Panel 300x300 Set Bead Fire Rated (1 hour) Budget Lock
APF1-4545-S	Access Panel 450x450 Set Bead Fire Rated (1 hour) Budget Lock
APF1-5353-S	Access Panel 530x530 Set Bead Fire Rated (1 hour) Budget Lock
APF1-6060-S	Access Panel 600x600 Set Bead Fire Rated (1 hour) Budget Lock
APF1-3030-F	Access Panel 300x300 Flange Fire Rated (1 hour) Budget Lock
APF1-4545-F	Access Panel 450x450 Flange Fire Rated (1 hour) Budget Lock
APF1-5353-F	Access Panel 530x530 Flange Fire Rated (1 hour) Budget Lock
APF1-6060-F	Access Panel 600x600 Flange Fire Rated (1 hour) Budget Lock

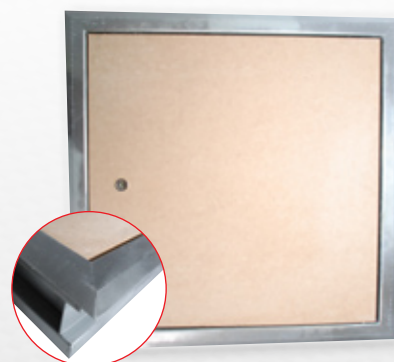
SPECIFICATION : The APF1 Access Panel is suitable for lightweight ceilings and walls up to and including FRL 60/60/60. Install Fire Rated Access Panel to wall/ceiling as indicated on drawings to manufacturers instructions. For ceilings ensure the supporting framework is independently supported with hangers from the building structure and the Access Panel weight is not carried by the ceiling. All work to be certified by the installer in an approved manner.

FIRE TEST DATA : APF1 Access Panels are manufactured in Australia by Fyreguard and have been tested to Australian Standard AS 1530.4 and attained an FRL of 60/60/60; including incipient spread of fire.

FYREGUARD OR WALLBOARD TOOL CO. IS NOT RESPONSIBLE IF RECIPIENTS OF FIRE TEST REPORTS, ASSESSMENTS OR LITERATURE INCORRECTLY INTERPRET THE CONTENTS OR INCORRECTLY USE THE PRODUCTS BASED ON THOSE INTERPRETATIONS.

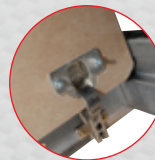
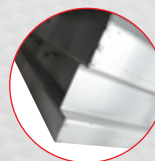
For more information contact Wallboard Tools:

P: 1300 653 177 | F: 1300 657 442 | E: sales@wallboardtools.com.au | www.wallboardtools.com.au



FEATURES:

- Heavy duty frame
- Allan keyed lock
- Quality hinges
- Safety chain

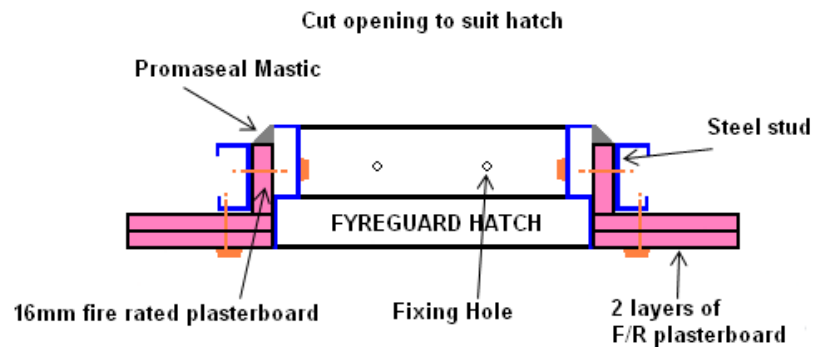


1 HR Fire Rated

INSTALLATION INSTRUCTIONS

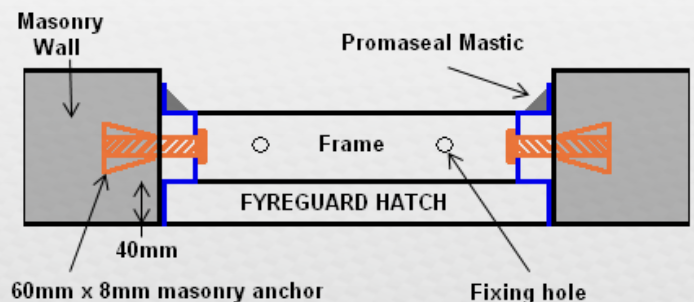
1 HOUR FIRE RATED ACCESS PANELS (APF1 PANELS) CEILING FIXING INSTRUCTIONS :

1. Mark and cut out opening in ceiling – to match dimensions of Access Panel (eg 600 x 600).
2. Cut and place 51mm steel stud trimmers 16mm back from edge of opening. Position 16mm fire rated plasterboard facing strips on face of stud and screw fix.
3. Place external angle bead around opening. Lift Access Panel into position, check external bead lines up with edge of the Access Panel and the opening is the correct size. Remove Access Panel and "set" external angle.
4. Mark line at level of door frame above opening. Open Access Panel and secure into frame surrounds to this line. Close and check Access Panel door is positioned correctly, drill and fix permanent screws (minimum 2 fixings per side).
5. Seal around Access Panel frame surrounds and fire rated plasterboard with Promaseal Mastic.
6. Connect safety chain and lock hatch door.



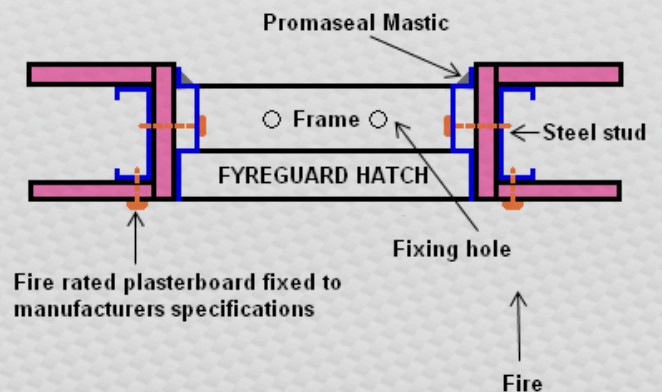
1 HOUR FIRE RATED ACCESS PANELS (APF1 PANELS) IN MASONRY WALL FIXING DETAIL :

1. Match Access Panel to wall opening.
2. Mark line at level of door frame in from face of opening. Open Access Panel door and secure frame surround through hole in to masonry with 60 x 8mm masonry anchors (Minimum 2 Fixings on opposite sides).
3. Seal around Access Panel frame surround and masonry using Promaseal Mastic.
4. Close Access Panel and engage lock.



1 HOUR FIRE RATED ACCESS PANELS (APF1 PANELS) IN LIGHT WEIGHT WALL FIXING DETAIL:

1. Frame opening with 51mm steel stud and trim with 16mm fire rated plasterboard to required opening size.
2. Match Access Panel to wall opening.
3. Cut and place external angle bead around opening. Lift Access Panel into position and check external bead. Remove Access Panel and "set" external angle.
4. Mark line at level of door frame in from face of opening. Open Access Panel door and secure frame surround into steel stud frame with 45 x 8 SF screws.
5. Seal around Access Panel surround and fire rated plasterboard with Promaseal Mastic.
6. Close Access Panel and engage lock.



For more information contact Wallboard Tools:

P: 1300 653 177 | F: 1300 657 442 | E: sales@wallboardtools.com.au | www.wallboardtools.com.au



Access Panel Range

DESCRIPTION: The 2 Hour Fire Rated Access Panels (APF2 Panels) are a screw fixed Access Panel with a laminated MDF face designed to meet the requirements of the BCA with FRL's of 120/120/120 and 60/60/60.

APPLICATIONS: APF2 Panels are designed for installation in walls, shafts and ceilings where full integrity and insulation criteria are required under fire conditions. APF2 Panels provide maintenance access to voids and services in fire rated construction.

PRODUCT INFORMATION : APF2 Panels are supplied in standard sizes and can also be manufactured to suit individual requirements. The maximum size of APF2 Panels is 1500x1000mm in masonry walls, 1500x600mm in fire rated plasterboard walls and 1200x600mm in fire rated ceilings. Note – APF2 Panels must fit between studs in lightweight walls, do not cut studs. Standard sizes are available as:

Code	Description
APF2-3030-S	Access Panel 300x300 Set Bead Fire Rated (2 hour) Screw Fix
APF2-4545-S	Access Panel 450x450 Set Bead Fire Rated (2 hour) Screw Fix
APF2-5353-S	Access Panel 530x530 Set Bead Fire Rated (2 hour) Screw Fix
APF2-6060-S	Access Panel 600x600 Set Bead Fire Rated (2 hour) Screw Fix
APF2-3030-F	Access Panel 300x300 Flange Fire Rated (2 hour) Screw Fix
APF2-4545-F	Access Panel 450x450 Flange Fire Rated (2 hour) Screw Fix
APF2-5353-F	Access Panel 530x530 Flange Fire Rated (2 hour) Screw Fix
APF2-6060-F	Access Panel 600x600 Flange Fire Rated (2 hour) Screw Fix

SPECIFICATION : APF2 Panels are suitable for masonry and lightweight ceiling and wall systems up to and including FRL 120/120/120. (Note, the clear opening size is reduced by 30mm all round to allow for the fixing angle) See installation instructions on back of data sheet.

All work to be certified by the installer in an approved manner.

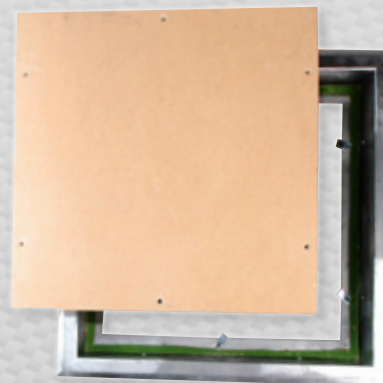
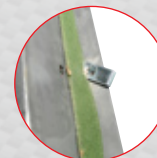
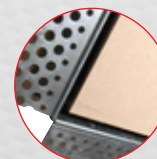
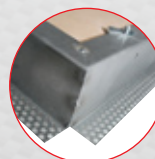
FIRE TEST DATA : The Promapanel Fire Rated Access Panel meets the requirements of Australian Standard AS 1530.4 and the Building Code of Australia attaining FRL's of 120/120/120 and 60/60/60

FYREGUARD OR WALLBOARD TOOL CO. IS NOT RESPONSIBLE IF RECIPIENTS OF FIRE TEST REPORTS, ASSESSMENTS OR LITERATURE INCORRECTLY INTERPRET THE CONTENTS OR INCORRECTLY USE THE PRODUCTS BASED ON THOSE INTERPRETATIONS.



FEATURES:

- Heavy duty frame
- 3mm gap all round
- Screw fixed face
- Acoustic seal



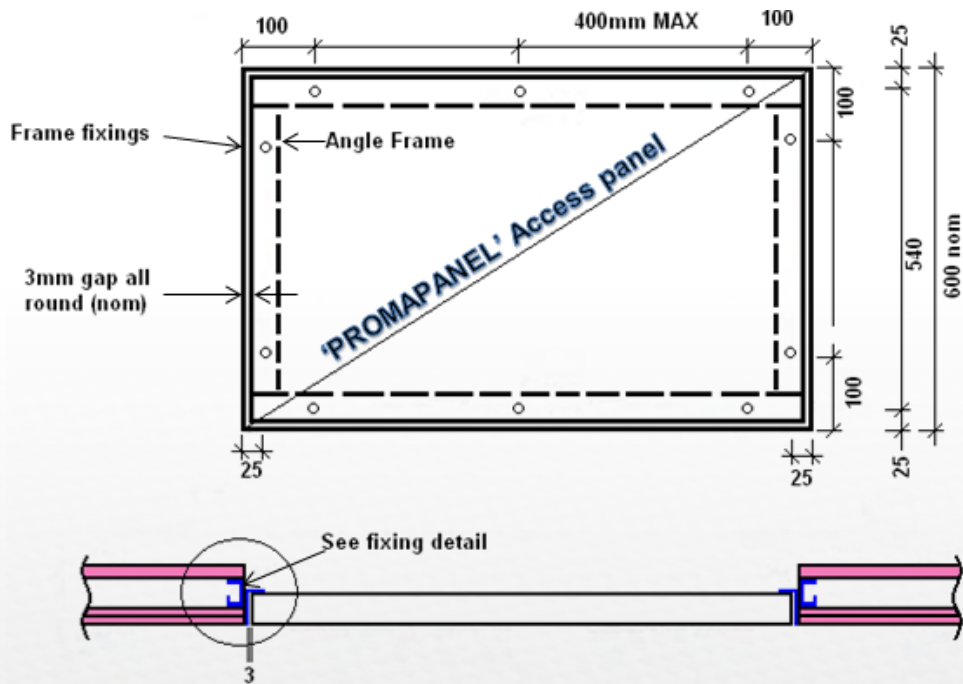
2 HR Fire Rated

For more information contact Wallboard Tools:

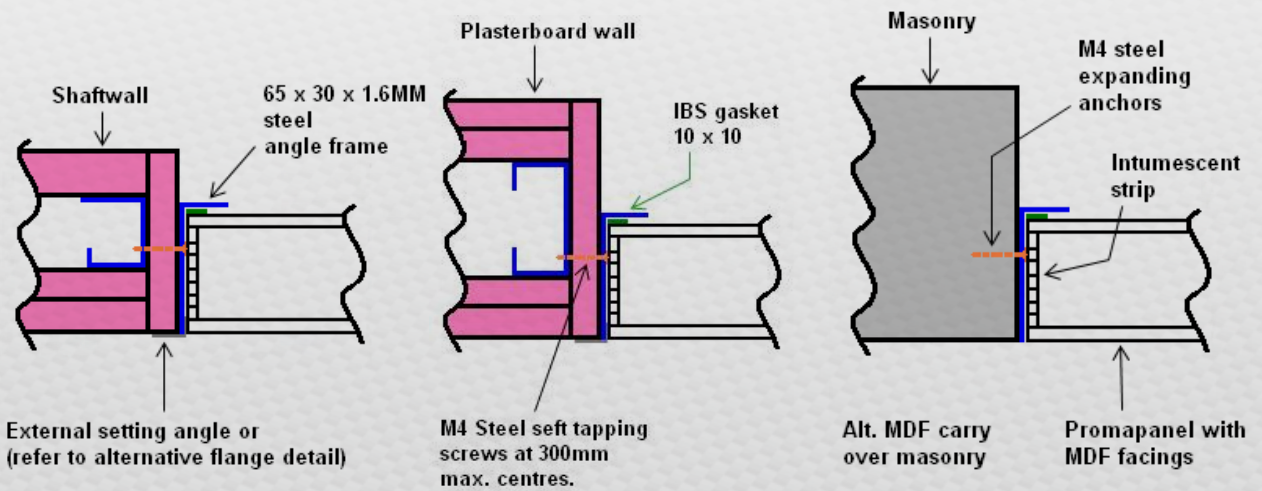
P: 1300 653 177 | F: 1300 657 442 | E: sales@wallboardtools.com.au | www.wallboardtools.com.au

INSTALLATION INSTRUCTIONS

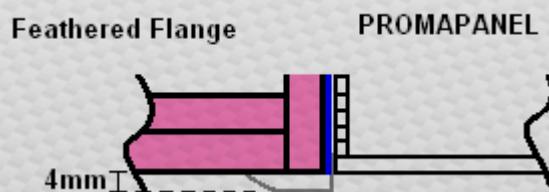
TYPICAL 2HR FIRE RATED ACCESS PANEL:



TYPICAL FIXING DETAILS:



ALTERNATE FLANGE DETAIL:



2 HR Fire Rated

For more information contact Wallboard Tools:

P: 1300 653 177 | F: 1300 657 442 | E: sales@wallboardtools.com.au | www.wallboardtools.com.au